

SPEEDSTILE EXPRESS

- The SPEEDSTILE EXPRESS is a combination of security and aesthetics all in one stylish product
- Ultra high speed access with seamlessly integrated motor drive technology
- Exported worldwide

APPLICATIONS

- Gi]hYX'Zcf'Udd']W]cbg'fYei]f]b[i 'hfU\][\ 'gdYYX'UMVgg'UbX' a YX]i a "Yj Y'g'cZgYVWf]m'
- I gYX'YI hYbg]j Y'm]b'Udd']W]cbg' gi V\ 'Ug'cZ]W' fYVWdh]cbgž U]fdcfhgži b]j Yfg]h]Ygž\YU'h' V\ Vg'UbX'fU]k Um'

DESIGNED FOR:

- ▽ Interior and exterior installations
- ▽ Severe operating conditions

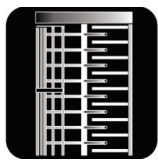
AVAILABLE CONFIGURATIONS

- Narrow lane 21.65" (550mm), standard lane 26.5" (700mm) and wide lane 35.4" (900mm) - suitable for special needs access such as wheelchairs
- Single lane and double lane

FEATURES

- Designed by professional engineers
- Cutting edge technology used in both the design and manufacture
- Ultra-heavy-duty high speed motor drive and gearbox
- Intelligent motor - tamper detection feedback
- Built-in intelligent PLC controller
- Motion detection sensor array – dynamic following of the pedestrian through the Speedstile Express
- Highly sophisticated anti-tamper detection
 - Tailgating
 - Unauthorized direction
 - Crawling
- Safety - a series of detectors are used to prevent closing when a person or object is in the closing envelope





TECHNICAL SPECIFICATIONS

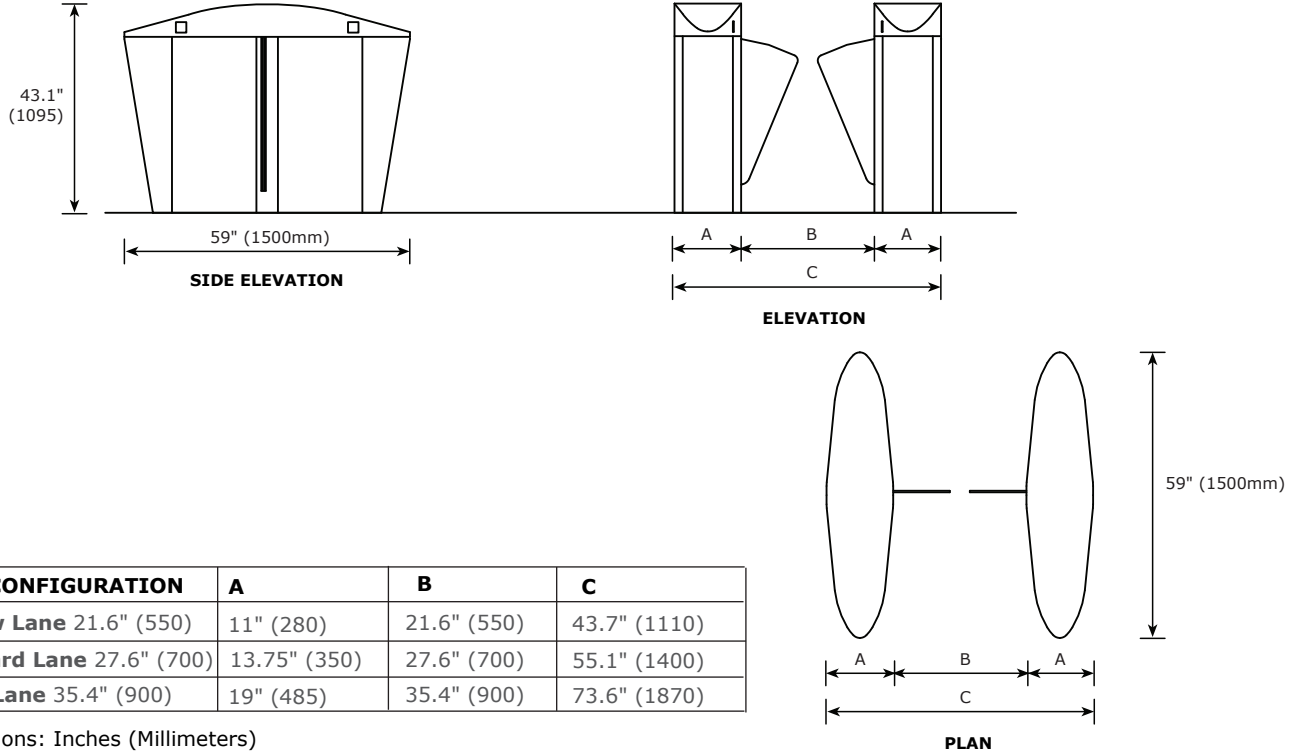
POWER	220 Volt AC (110 Volt AC on request)	
FREQUENCY	50Hz / 60Hz	
POWER CONSUMPTION	300W per lane	
POWER FAILURE OPERATION	The glass wings can be easily moved into the cabinet to allow free access	
FIRE ALARM OPERATION	Trigger can activate barriers to remain in the open position for free access	
SYSTEMS INTEGRATION	Integrates with all access control and time & attendance systems	
OPERATING CYCLE TIME	Open	1 second
	Close	
TAMPER ALARM	<ul style="list-style-type: none">• Electronic output for a building security alert, e.g. to lock doors or activate CCTV• LED lights show red cross• Internal buzzer sounds	
STANDARD OPERATIONAL MODES	<ul style="list-style-type: none">• Entry and exit• Entry only• Exit only• Optical mode for entry and exit All modes can be changed using a selector switch supplied with with the Speedstile Express	





SPEEDSTILE EXPRESS RANGE

SPEEDSTILE EXPRESS SINGLE LANE



SPEEDSTILE EXPRESS DOUBLE LANE

